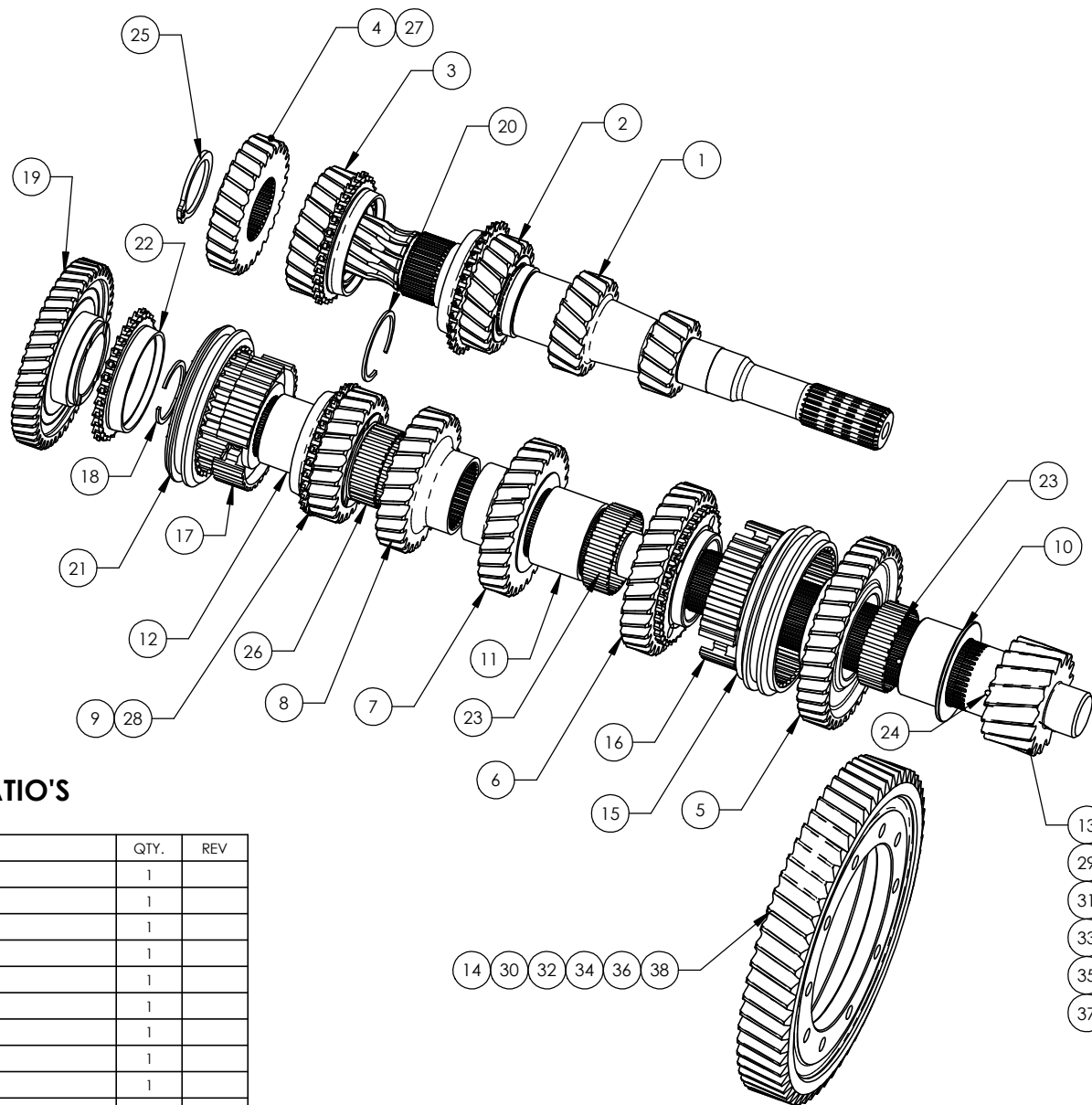


ITEM NO.	PART NUMBER	DESCRIPTION	QTY.	REV
1	E-28Z1-02	INPUT SHAFT	1	
2	E-28Z2-03	3RD GEAR I/P	1	
3	E-28Z1-04	4TH GEAR I/P 23T R1.130:1	1	
4	E-28Z1-17	5TH GEAR I/P R0.962:1	1	
5	E-28Z1-06	1ST GEAR O/P	1	
6	E-28Z1-07	2ND GEAR O/P	1	
7	E-28Z1-08	3RD GEAR O/P 28T R1.400:1	1	
8	E-28Z1-09	4TH GEAR O/P 26T R1.130:1	1	
9	E-28Z2-18	5TH GEAR O/P R0.962:1	1	
10	E-28Z1-14	INNER TRACK 1ST GEAR O/P	1	
11	E-28Z1-15	INNER TRACK 2ND GEAR O/P	1	
12	E-28Z1-16	INNER TRACK 5TH GEAR O/P	1	
13	E-29Z1-32	OUTPUT SHAFT. RATIO 3.625:1	1	
14	E-29Z1-33	CROWN WHEEL R3.625:1	1	
15	FORD PART	REVERSE GEAR O/P SLIDER MODIFICATION DRG.	1	
16	FORD PART	1ST/2ND HUB O/P	1	
17	FORD PART	5TH/REV HUB O/P	1	
18	FORD PART	CIRCLIP	1	
19	FORD PART	REV GEAR O/P	1	
20	FORD PART	CIRCLIP	1	
21	FORD PART	3RD/4TH I/P & 5TH/REV O/P SLIDER	1	
22	FORD PART	DOG RING REV GEAR O/P	1	
23	203	BEARING - ROLLER 47x52x17	2	
24	225	BALL, STEEL, DIA. 0.125	2	
25	441	CIRCLIP - EXTERNAL	1	
26	693	BEARING - ROLLER 42x47x17	1	



ALTERNATIVE RATIO'S

ITEM NO.	PART NUMBER	DESCRIPTION	QTY.	REV
27	E-28Z1-05	5TH GEAR I/P 25T R1.040:1	1	
28	E-28Z1-10	5TH GEAR O/P 26T R1.040:1	1	
29	E-29Z1-19	OUTPUT SHAFT. RATIO 3.824:1	1	
30	E-29Z1-20	CROWN WHEEL R3.824:1	1	
31	E-29Z1-21	OUTPUT SHAFT. RATIO 4.062:1	1	
32	E-29Z1-22	CROWN WHEEL R4.062:1	1	
33	E-29Z1-23	OUTPUT SHAFT. RATIO 4.250:1	1	
34	E-29Z1-24	CROWN WHEEL R4.250:1	1	
35	E-29Z1-25	OUTPUT SHAFT. RATIO 4.600:1	1	
36	E-29Z1-26	CROWN WHEEL R4.600:1	1	
37	E-29Z1-27	OUTPUT SHAFT. RATIO 4.857:1	1	
38	E-29Z1-28	CROWN WHEEL R4.857:1	1	

TITLE ASSEMBLY
SCALE 1:2 U.O.S. SHEET 1 OF 1
Drg. No. E-28Z1-01

Quaife Design & Development.

IF IN DOUBT, ASK.

FINISH MACH.	GRIND@G
LIMITS. FRACT. $\pm 1/64"$	
DEC. $\pm 0.005"$	
MATERIAL.	
TREATMENT.	
ISSUE 01 DATE 8.9.05	
DRAWN BY. J.P.	
Used In.	FORD FOCUS