

OPTIONAL CROWNWHEEL & PINION RATIO'S BELOW

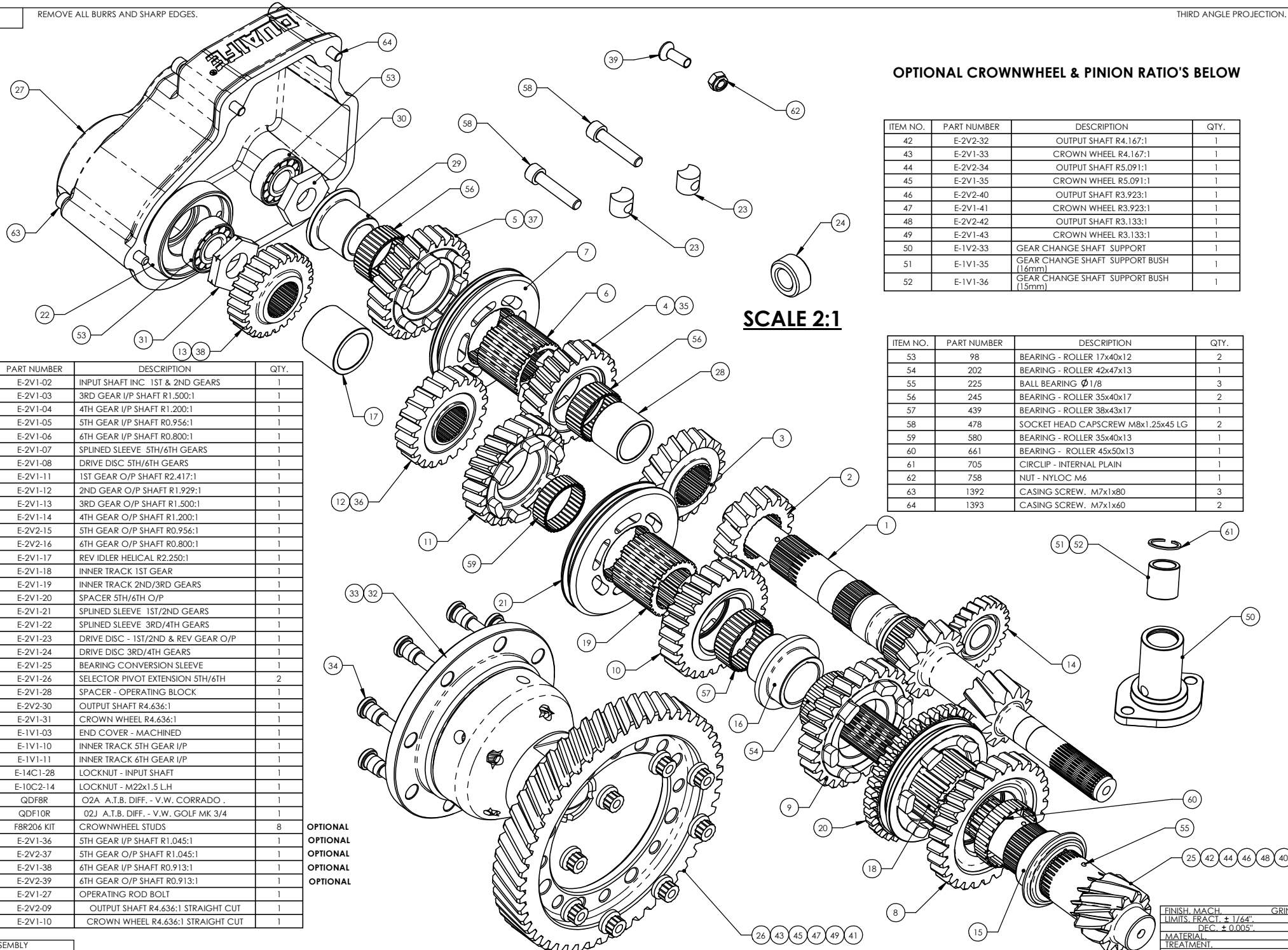
ITEM NO.	PART NUMBER	DESCRIPTION	QTY.
42	E-2V2-32	OUTPUT SHAFT R4.167:1	1
43	E-2V1-33	CROWN WHEEL R4.167:1	1
44	E-2V2-34	OUTPUT SHAFT R5.091:1	1
45	E-2V1-35	CROWN WHEEL R5.091:1	1
46	E-2V2-40	OUTPUT SHAFT R3.923:1	1
47	E-2V1-41	CROWN WHEEL R3.923:1	1
48	E-2V2-42	OUTPUT SHAFT R3.133:1	1
49	E-2V1-43	CROWN WHEEL R3.133:1	1
50	E-1V2-33	GEAR CHANGE SHAFT SUPPORT	1
51	E-1V1-35	GEAR CHANGE SHAFT SUPPORT BUSH (16mm)	1
52	E-1V1-36	GEAR CHANGE SHAFT SUPPORT BUSH (15mm)	1

ITEM NO.	PART NUMBER	DESCRIPTION	QTY.
53	98	BEARING - ROLLER 17x40x12	2
54	202	BEARING - ROLLER 42x47x13	1
55	225	BALL BEARING Ø1/8	3
56	245	BEARING - ROLLER 35x40x17	2
57	439	BEARING - ROLLER 38x43x17	1
58	478	SOCKET HEAD CAPSCREW M8x1.25x45 LG	2
59	580	BEARING - ROLLER 35x40x13	1
60	661	BEARING - ROLLER 45x50x13	1
61	705	CIRCLIP - INTERNAL PLAIN	1
62	758	NUT - NYLOC M6	1
63	1392	CASING SCREW. M7x1x80	3
64	1393	CASING SCREW. M7x1x60	2

ITEM NO.	PART NUMBER	DESCRIPTION	QTY.
1	E-2V1-02	INPUT SHAFT INC 1ST & 2ND GEARS	1
2	E-2V1-03	3RD GEAR I/P SHAFT R1.500:1	1
3	E-2V1-04	4TH GEAR I/P SHAFT R1.200:1	1
4	E-2V1-05	5TH GEAR I/P SHAFT R0.956:1	1
5	E-2V1-06	6TH GEAR I/P SHAFT R0.800:1	1
6	E-2V1-07	SPLINED SLEEVE 5TH/6TH GEARS	1
7	E-2V1-08	DRIVE DISC 5TH/6TH GEARS	1
8	E-2V1-11	1ST GEAR O/P SHAFT R2.417:1	1
9	E-2V1-12	2ND GEAR O/P SHAFT R1.929:1	1
10	E-2V1-13	3RD GEAR O/P SHAFT R1.500:1	1
11	E-2V1-14	4TH GEAR O/P SHAFT R1.200:1	1
12	E-2V2-15	5TH GEAR O/P SHAFT R0.956:1	1
13	E-2V2-16	6TH GEAR O/P SHAFT R0.800:1	1
14	E-2V1-17	REV IDLER HELICAL R2.250:1	1
15	E-2V1-18	INNER TRACK 1ST GEAR	1
16	E-2V1-19	INNER TRACK 2ND/3RD GEARS	1
17	E-2V1-20	SPACER 5TH/6TH O/P	1
18	E-2V1-21	SPLINED SLEEVE 1ST/2ND GEARS	1
19	E-2V1-22	SPLINED SLEEVE 3RD/4TH GEARS	1
20	E-2V1-23	DRIVE DISC - 1ST/2ND & REV GEAR O/P	1
21	E-2V1-24	DRIVE DISC 3RD/4TH GEARS	1
22	E-2V1-25	BEARING CONVERSION SLEEVE	1
23	E-2V1-26	SELECTOR PIVOT EXTENSION 5TH/6TH	2
24	E-2V1-28	SPACER - OPERATING BLOCK	1
25	E-2V2-30	OUTPUT SHAFT R4.636:1	1
26	E-2V1-31	CROWN WHEEL R4.636:1	1
27	E-1V1-03	END COVER - MACHINED	1
28	E-1V1-10	INNER TRACK 5TH GEAR I/P	1
29	E-1V1-11	INNER TRACK 6TH GEAR I/P	1
30	E-14C1-28	LOCKNUT - INPUT SHAFT	1
31	E-10C2-14	LOCKNUT - M22x1.5 L.H	1
32	QDF8R	O2A A.T.B. DIFF. - V.W. CORRADO .	1
33	QDF10R	O2J A.T.B. DIFF. - V.W. GOLF MK 3/4	1
34	F8R206 KIT	CROWNWHEEL STUDS	8
35	E-2V1-36	5TH GEAR I/P SHAFT R1.045:1	1
36	E-2V2-37	5TH GEAR O/P SHAFT R1.045:1	1
37	E-2V1-38	6TH GEAR I/P SHAFT R0.913:1	1
38	E-2V2-39	6TH GEAR O/P SHAFT R0.913:1	1
39	E-2V1-27	OPERATING ROD BOLT	1
40	E-2V2-09	OUTPUT SHAFT R4.636:1 STRAIGHT CUT	1
41	E-2V1-10	CROWN WHEEL R4.636:1 STRAIGHT CUT	1

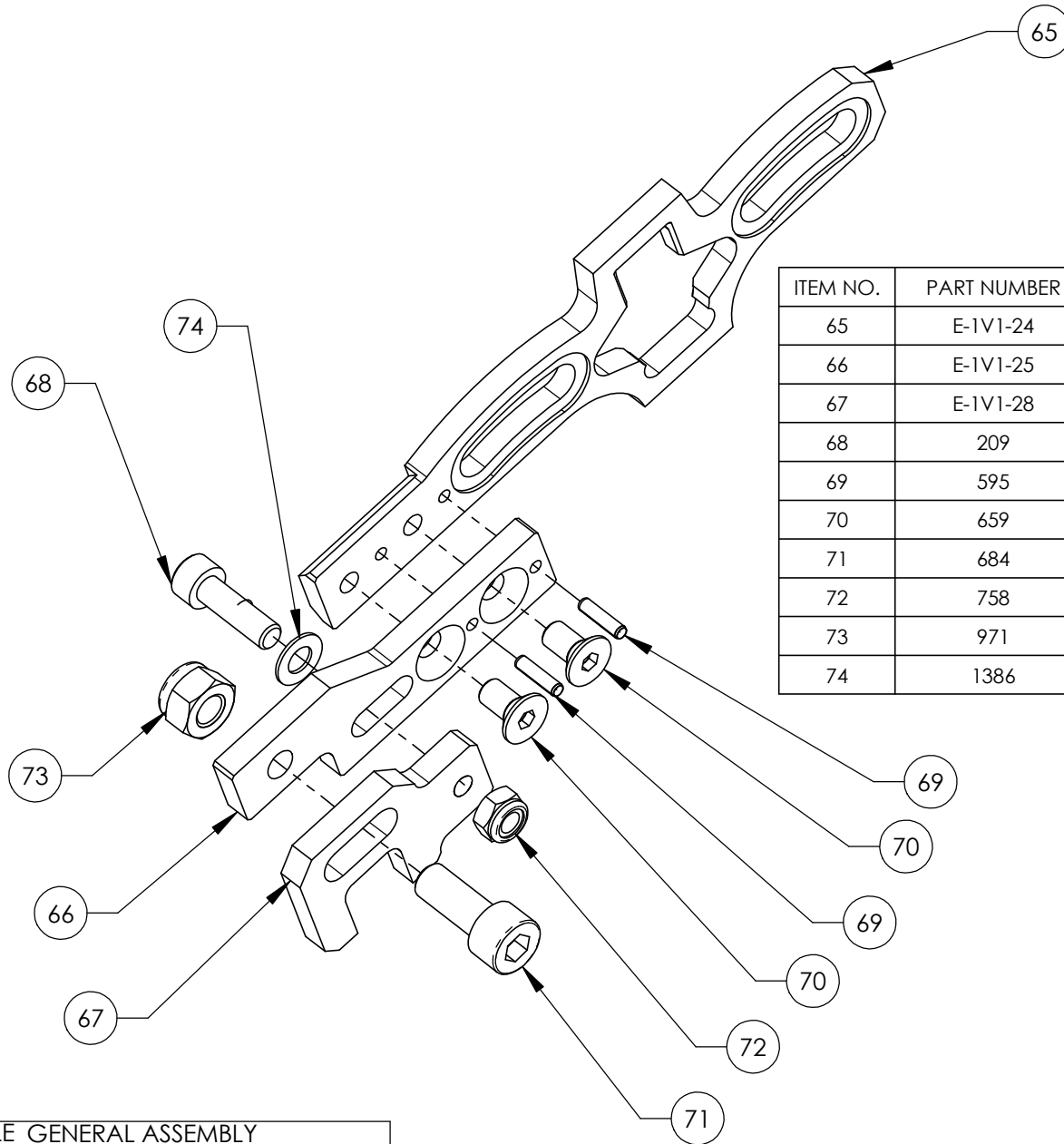
OPTIONAL
OPTIONAL
OPTIONAL
OPTIONAL

SCALE 2:1



FINISH MACH.	GRIND@G
LIMITS. FRACT. + 1/64"	
DEC. + 0.005"	
MATERIAL	
TREATMENT	
ISSUE 01 DATE 9.12.03	
DRAWN BY J.M.	

IF IN DOUBT, ASK.
Used In. V.W. GOLF (02A) 6 SPEED DOGGED



ITEM NO.	PART NUMBER	DESCRIPTION	QTY.	REV
65	E-1V1-24	SELECTOR OPERATING BLADE 5TH/6TH GEARS	1	
66	E-1V1-25	OPERATING ARM 5TH/6TH	1	
67	E-1V1-28	OPERATING TANG 5TH/6TH	1	
68	209	SOCKET HEAD CAPSCREW M6x1.0x20 LG	1	
69	595	SELLOCK PIN ϕ 3x12 LG	2	
70	659	SOCKET HEAD CSK SCREW M6x1.0x12 LG	2	
71	684	SOCKET HEAD CAPSCREW M8x1.25x20 LG	1	
72	758	NUT - NYLOC M6	1	
73	971	NUT - NYLOC M8	1	
74	1386	WASHER - 6mm	1	

TITLE GENERAL ASSEMBLY
SCALE 1:2 U.O.S. SHEET 2 OF 2
Drg. No. E-2V1-01

Quaife Design & Development.

IF IN DOUBT, ASK.

THIS DRAWING OR DESIGN IS STRICTLY CONFIDENTIAL & THE COPYRIGHT THEREIN IS THE EXCLUSIVE PROPERTY OF RT SQUARE ENGINEERING LTD. AND MAY NOT BE USED COPIED OR EXHIBITED WITHOUT THEIR WRITTEN PERMISSION.

FINISH. MACH.	GRIND@G
LIMITS. FRACT. \pm 1/64"	
	DEC. \pm 0.005"
MATERIAL.	
TREATMENT.	
ISSUE. 01 DATE. 9.12.03	
DRAWN BY. J.M.	
Used In.	V.W. GOLF (02A) 6 SPEED DOGGED