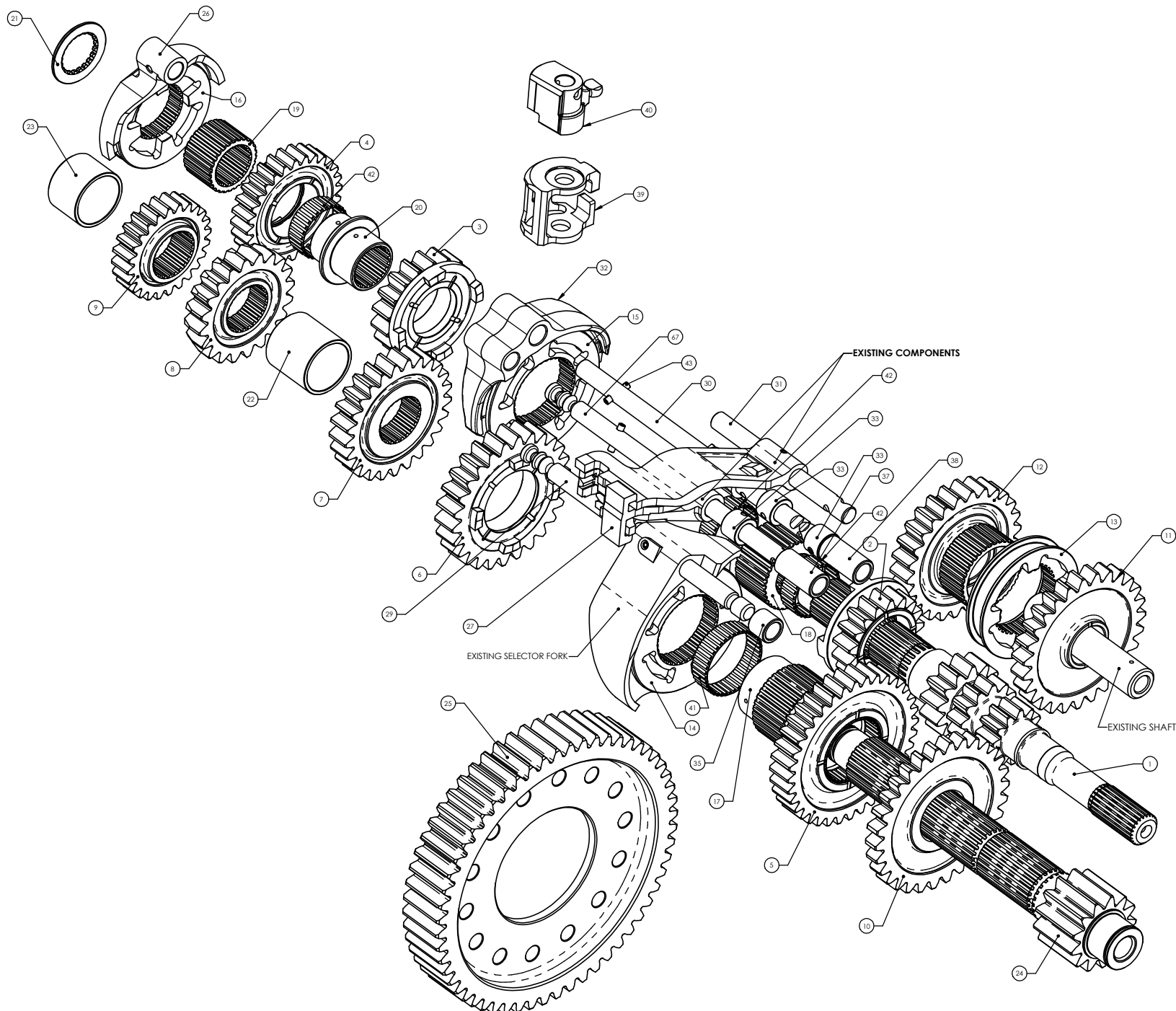
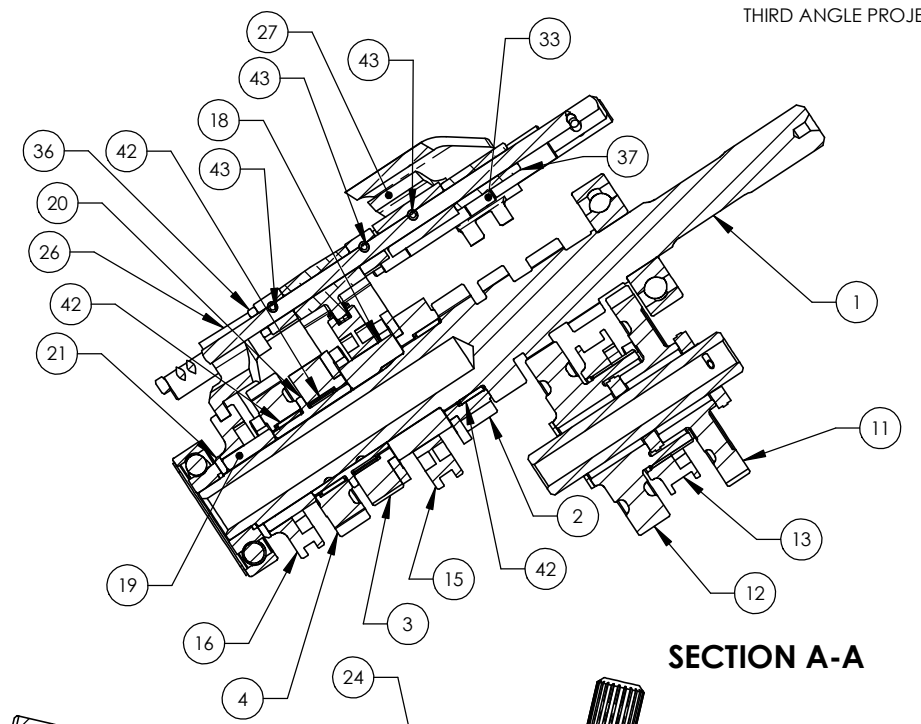
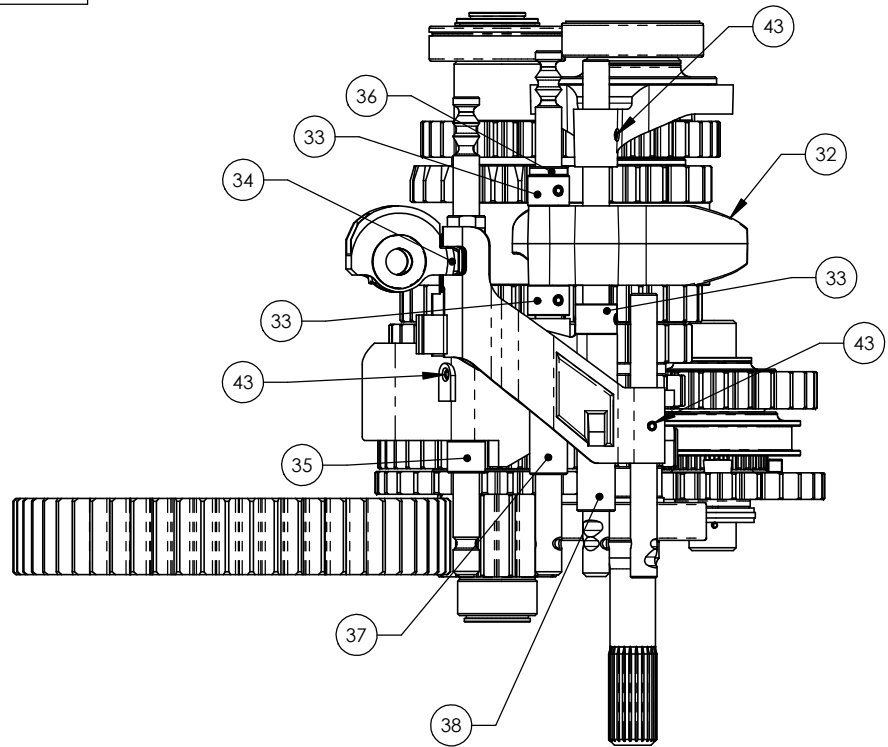


**RECOMMENDED OIL:- SILKOLENE SILKTRAN SYN 5**

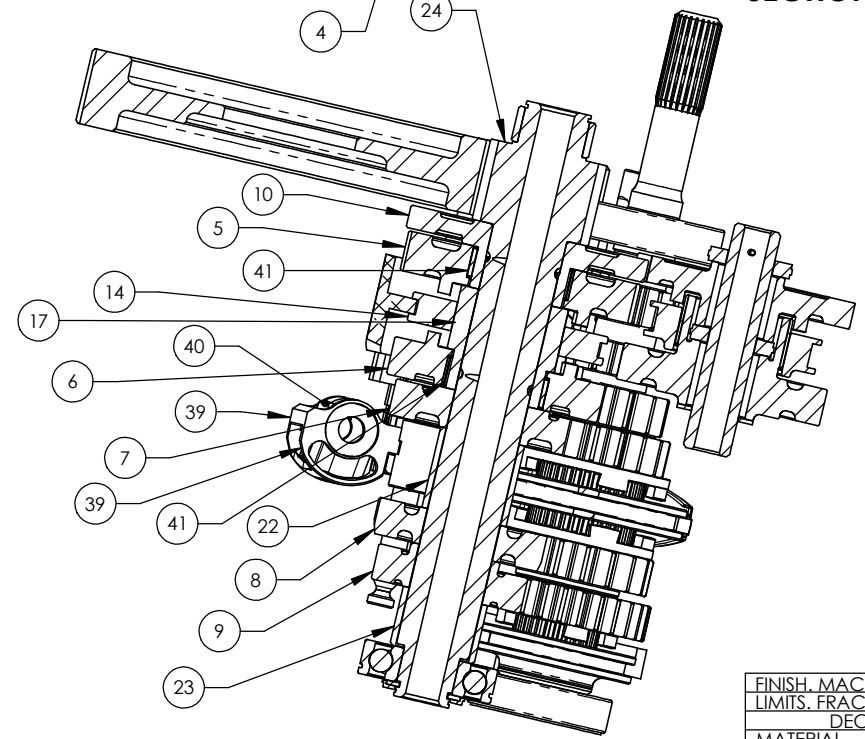
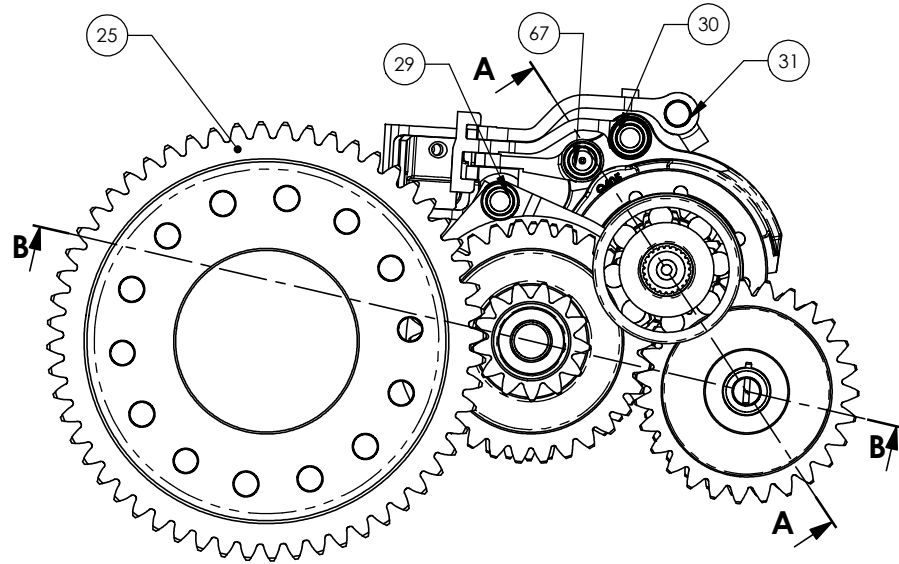
ITEM NO.	PART NUMBER	DESCRIPTION	QTY.
1	E-4U1-02	I/PUT SHAFT INC. 1st, REV. & 2nd GEARS	1
2	E-4U1-63	3rd GEAR I/PUT. R1.470:1 4 DOGS TYPE.	1
3	E-4U1-64	4th GEAR I/PUT. R1.111:1 4 DOGS TYPE.	1
4	E-4U1-65	5th GEAR I/PUT. R0.857:1 4 DOGS TYPE.	1
5	E-4U1-66	1st GEAR O/PUT. R3.000:1 4 DOGS TYPE.	1
6	E-4U1-67	2nd GEAR O/PUT. R2.000:1 4 DOGS TYPE.	1
7	E-4U1-08	3rd GEAR O/PUT. R1.470:1	1
8	E-4U1-09	4th GEAR O/PUT. R1.111:1	1
9	E-4U1-10	5th GEAR O/PUT. R0.857:1	1
10	E-4U1-11	REVERSE GEAR O/PUT.	1
11	E-4U1-58	LOWER TRANSFER / REVERSE GEAR.	1
12	E-4U1-13	UPPER TRANSFER / REVERSE GEAR.	1
13	E-4U1-59	DRIVE DISC LOWER TRANSFER GEAR.	1
14	E-4U1-60	DRIVE DISC. 1st/2nd GEARS O/P 4 DOG/POCKETS.	1
15	E-4U1-61	DRIVE DISC I/P 3rd/4th GEARS 4 DOG/POCKETS.	1
16	E-4U1-62	DRIVE DISC I/PUT 5th GEAR 4 DOG/POCKETS.	1
17	E-4U1-19	SPLINED HUB / INNER TRACK 1st/2nd O/PUT.	1
18	E-4U1-20	SPLINED HUB I/PUT 3rd/4th	1
19	E-4U1-21	SPLINED HUB I/PUT 5th GEAR	1
20	E-4U1-22	INNER TRACK I/P 4th/5th GEARS	1
21	E-4U1-23	SPLINED STOP WASHER I/P 5th GEAR	1
22	E-4U1-24	SPACER LONG O/PUT 3rd/4th	1
23	E-4U1-25	SPACER SHORT O/PUT 5th	1
24	E-4U1-26	OUTPUT SHAFT R4.307:1	1
25	E-4U1-27	CROWN WHEEL R4.307:1	1
26	E-4U1-28	SELECTOR FORK 5th I/PUT	1
27	E-4U1-36	No. 3 SELECTOR TANG. MODIFICATION DRG.	1
28	E-4U1-68	DOG RING. 3rd/4th I/P GEARS 4 DOGS.	1
29	E-4U1-29	SELECTOR ROD No.1. 1st/2nd O/P	1
30	E-4U1-31	SELECTOR ROD No.3. 5th GEAR I/P	1
31	E-4U1-32	SELECTOR ROD No.4. REVERSE	1
32	E-4U1-37	SELECTOR FORK 3rd/4th I/PUT	1
33	E-4U1-38	SPACER - SELECTOR FORK 3rd/4th I/P SHAFT.	4
34	E-4U1-39	SELECTOR ROD SPACER 1st/2nd. TOP	1
35	E-4U1-40	SELECTOR ROD SPACER 1st/2nd. BOTTOM	1
36	E-4U1-41	SELECTOR ROD SPACER 3rd/4th TOP	1
37	E-4U1-42	SELECTOR ROD SPACER 3rd/4th. BOTTOM	1
38	E-4U1-43	SELECTOR ROD SPACER 5th. BOTTOM	1
39	E-4U1-69	INTERLOCK BLOCK	1
40	E-4U1-70	MODIFICATION DRG. FOR:- OPERATING TANG	1
41	662	BEARING - ROLLER 50x55x17	2
42	665	BEARING - ROLLER 40x45x17	3
43	1208	SPIROL PIN Ø5x22 LG	9
67	E-4U1-30	SELECTOR ROD No.2. 3rd/4th GEARS I/P	1

**NOTE- OTHER COMPONENTS NOT SHOWN TO BE USED FROM EXISTING GEARBOX.**





SECTION A-A



SECTION B-B

TITLE GENERAL ASSEMBLY	
SCALE 1:2 U.O.S.	SHEET 2 OF 2
Drg. No. E-4U1-01	

Quaife Design & Development.

IF IN DOUBT, ASK.

FINISH MACH.	GRIND@G
LIMITS. FRACT. $\pm 1/64"$	
TREATMENT.	
ISSUE 01 DATE 20.1.05	
DRAWN BY J.P.D.	
Used In.	MITSUBISHI EVO VIII 4 DOGGED.